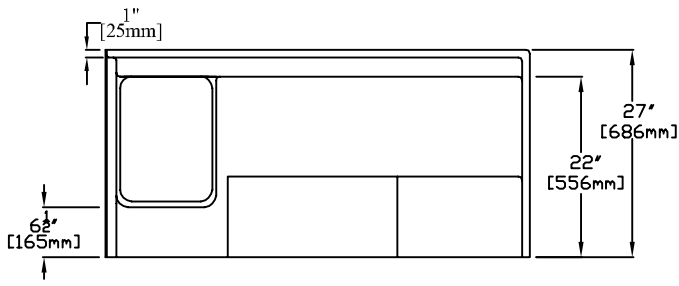
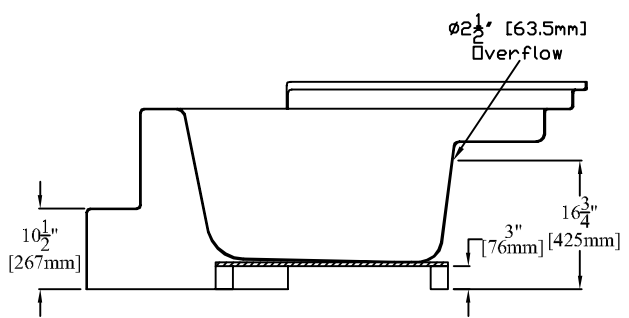


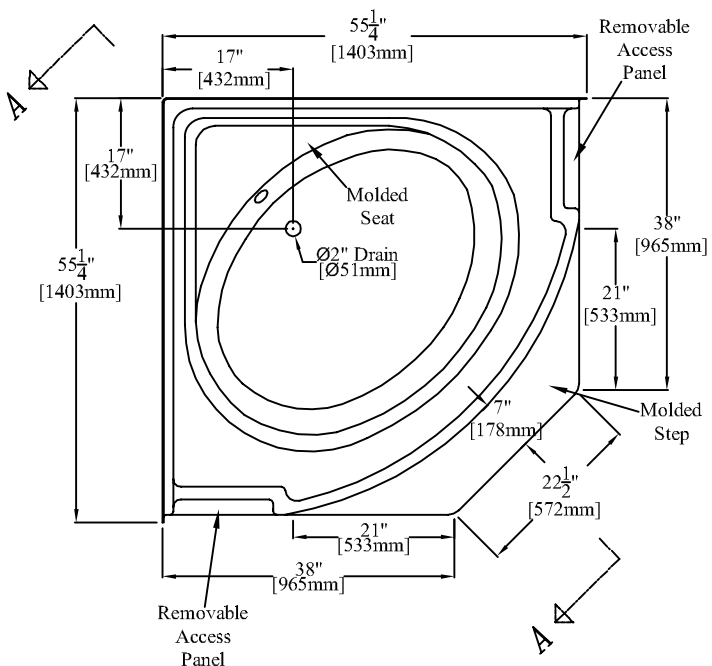
Clarion Bathware



ELEVATION



SECTION "A-A"



PLAN

*55 1/4" [1403mm] Corner Bathtub With Seat
Molded Step & Removable Access Panels*

FRONT CENTER DRAIN

PRODUCT SPECIFICATIONS:

- * Product complies with NAHB, HUD UM-73A, and ANSI-Z124.1.
- * Wood reinforced & slip resistant floor.
- * Integral 1" [25mm] nailing flange.
- * Factory drilled 2 1/2" [64mm] overflow.
- * Molded step on outside of bathtub
- * Spacious bathwell with molded seat.
- * Removable access panels.
- * Bathwell Dimensions (At Top): W-48" [1492mm]
D-34" [978mm]
H-18 1/4" [464mm]
- * Bathwell Dimensions (At Bottom): W-39" [991mm]
D-28" [711mm]
- * Bathwell Capacity (At Overflow): 68 Gallons [257L]
- * Water Level (At Overflow): 13 3/4" [349mm]
- * This unit is available without an overflow (Model 4500AM).
- * All dimensions +/- 1/4" [6.4mm]
- * Clarion Bathware reserves the right to change design and/or dimensions.
- * Dimensions are the same for RE, RS, MP, CU and all other versions of this model.

Model 4500A

55 1/4" [1403mm] Corner Bathtub with Molded Step & Removable Access Panel

Clarion
BATHWARE
44 Amsler Ave.
Shipperville, PA 16254

Phone: (814) 226-5374
Toll Free: (800) 576-9228
Fax: (814) 226-0730
www.clarionbathware.com

Signatures For Approval: _____ Date: _____
Customer: _____
Arch./Engr: _____
Contractor: _____
Cla. Engr: _____

Dwg. Name:
4500A-CUT
Dwg. By: DJC
DATE: 1/2/07